

TEMPERATURE CONTROLLER 0-10VDC PROPORTIONAL/INTEGRAL 1,2 OR 3 OUTPUTS

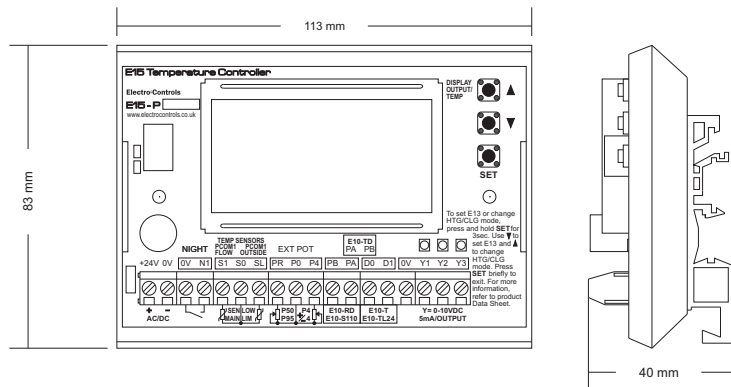
E15-PTL...

<p>■ The E15 Temperature Controller is a fully digital controller which has 1, 2 or 3 0-10VDC proportional outputs. Integral, Low Limit and Night Setback is standard. Night Setback is via external time switch (not provided).</p> <p>A clear LCD display is provided to guide the user through set up and verification</p> <p>Temperature Sensors from the E10 family should be selected and accessories such as a Digital Set Point Adjuster, Digital Display and Room Sensors are available.</p> <p>This product is compatible with the functions and accessories of the E13 family. See the Accessories section of this data sheet for more information.</p>		<table style="width: 100%; border-collapse: collapse;"> <tr><td>Temperature range</td><td>-10 to +95°C</td></tr> <tr><td>Proportional band</td><td>0.5 to 50°C</td></tr> <tr><td>Dead Band</td><td>0 to 15°C</td></tr> <tr><td>Integral time</td><td>0 to 500 seconds</td></tr> <tr><td>Low limit setting</td><td>0 to 30°C</td></tr> <tr><td>Night setback</td><td>0 to 40°C (Ext. Time Switch)</td></tr> <tr><td>Temp. Resolution</td><td>0.5°C</td></tr> <tr><td>Power supply</td><td>24VAC/DC +/-15%</td></tr> <tr><td>Power Consumption</td><td>2VA (without accessories)</td></tr> <tr><td>IP rating</td><td>IP00</td></tr> </table>	Temperature range	-10 to +95°C	Proportional band	0.5 to 50°C	Dead Band	0 to 15°C	Integral time	0 to 500 seconds	Low limit setting	0 to 30°C	Night setback	0 to 40°C (Ext. Time Switch)	Temp. Resolution	0.5°C	Power supply	24VAC/DC +/-15%	Power Consumption	2VA (without accessories)	IP rating	IP00
Temperature range	-10 to +95°C																					
Proportional band	0.5 to 50°C																					
Dead Band	0 to 15°C																					
Integral time	0 to 500 seconds																					
Low limit setting	0 to 30°C																					
Night setback	0 to 40°C (Ext. Time Switch)																					
Temp. Resolution	0.5°C																					
Power supply	24VAC/DC +/-15%																					
Power Consumption	2VA (without accessories)																					
IP rating	IP00																					

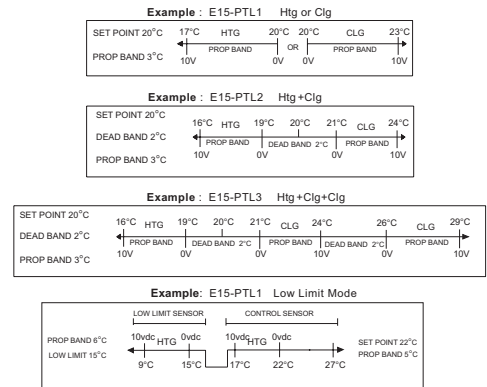
Type	Outputs	Functions	Mounting	Protection
E15-PTL1	1 x 0-10VDC	HTG or CLG	Din Rail	IP00
E15-PTL2	2 x 0-10VDC	HTG + CLG HTG + HTG or CLG + CLG	Din Rail	IP00
E15-PTL3	3 x 0-10VDC	CLG + CLG + CLG HTG + CLG + CLG HTG + HTG + CLG HTG + HTG + HTG	Din Rail	IP00

Note: If Low Limit Sensor is connected, only one Heating output will be available.

DIMENSIONS/TERMINATION:



EXAMPLE TEMPERATURE DIAGRAMS:



SET UP:

Turn on the controller. Momentarily the display will show all the screen characters then the Product mode, *E 15 P 1*, *E 13 P 1* or *E 13 P 4* (only available in the E15-PTL1).

Press and hold the **SET** button for 3 seconds. The SET CONTROL MODE: will be displayed. Press the **▼** button to toggle between the E15 and E13, and **▲** button repeatedly to change the HTG/CLG mode required. Press **SET** to confirm the selection.

Briefly press **SET** repeatedly to select the required parameters i.e. SET POINT, PROP BAND, DEADBAND, INTEGRAL, LOW LIMIT, LOW LIMIT PROP BAND (if Low Limit Sensor is connected) and NIGHT SETBACK. The **▲▼** buttons can be used to set numerical value required.

Whilst setting the parameters, if the buttons are left for 10 seconds, the screen will return to the Temperature screen.

In the Temperature screen use **▲▼** buttons repeatedly to show TEMPERATURE LOW LIMIT (if Low Limit Sensor is connected), OUTPUT Y1%, Y2% and Y3%.

Reverting to the default settings

Start with the power off .

Hold the **▲** button down whilst turning on the power.

Lod EF and *dEF Ld* will be displayed.

Turn off the power and turn on again. The controller will now be in its normal state.

Diagnostic messages

Err 51 Main Sensor short circuit or not connected.

Err 5L Low Limit Sensor short circuit.

ACCESSORIES: See the table below for the valid accessories:

Accessory type	Accessory Part number	Selected product mode	
		E15-P1/2/3	E13-P1/2/3/4*
Temperature sensors	E10-B/C/D/DA/G/H/I/K/R/RA/S/V/X	✓	✓
Set Point adjuster	E10-P4,E10-P50 and E10-P95 (E13-P4 mode only)	✓	✓
Digital Set Point Adjuster	E10-S110	✓	
Digital Room sensor	E10-RD	✓	
Analogue display	E10-T		✓
Digital Display	E10-TD	✓	
Enclosure	EE-M2T	✓	✓

* E13-P4 mode is only available in the E15-PTL1. The E13-PO4 and E13-PT4 are compatible with the E15-PTL1.

INSTALLATION: Sensor cable size 7/0.2mm. Screened cable is recommended with a maximum length of 100metres and earthed at the controller end only. Route all cables away from other power cables or devices which may cause interference.

