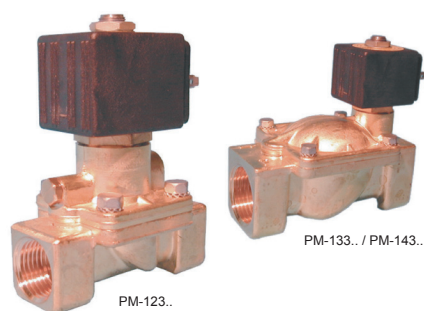


## SOLENOID VALVES WATER - AIR - OIL - STEAM

PM..

These 2 way solenoid valves can be used in a wide range of applications to control various fluids.



V = Viton - water, air, steam, diesel, oil 2°E 55sec.

N = Nitrile - water, air, diesel, oil 2°E 55 sec.

H = Ethylene propylene - water, air, steam.

NC = Normally closed - Energise to open.

NO = Normally open - Energise to close.

Max ambient 50°C

Body material = Brass

Response time approx 20 ms

Protection IP65

In wet areas protect the coil from ingress between the coil &amp; spindle but allow ventilation to prevent the coil overheating.

**ORDER VALVE + COIL**

Max. 60 operations per hour

Type BSP	Size	Operatin m <sup>3</sup> /h	Kvs %Kvs	Min Operating Press Bar	Max Diff Press		Max Steam Press Bar	Media Temp °C	Consumption Watts
					AC	Bar DC			
<b>PM-123AV</b>	½"	NC	2.4	0	5	1	4	-10/+140	12
<b>PM-123CV</b>	¾"	NC	6	0	3	1	-	-10/+140	16
<b>PM-123DV</b>	1"	NC	7	0	3	1	-	-10/+140	16
<b>PM-133AH</b>	½"	NC	3	0.1	10	10	4	-10/+140	8
<b>PM-133CH</b>	¾"	NC	8.4	0.1	10	10	4	-10/+140	8
<b>PM-133DH</b>	1"	NC	9.6	0.1	10	10	4	-10/+140	8
<b>PM-133-2EH</b>	1¼"	NC	25	0.1	10	10	4	-10/+140	8
<b>PM-133-2FH</b>	1½"	NC	30	0.1	10	10	4	-10/+140	8
<b>PM-133GH</b>	2"	NC	37	0.1	10	10	4	-10/+140	8
<b>PM-133AN</b>	½"	NC	3	0.1	20	20	-	-10/+90	8
<b>PM-133CN</b>	¾"	NC	8.4	0.1	20	20	-	-10/+90	8
<b>PM-133DN</b>	1"	NC	9.6	0.1	20	20	-	-10/+90	8
<b>PM-133-2EN</b>	1¼"	NC	25	0.1	10	10	-	-10/+90	8
<b>PM-133-2FN</b>	1½"	NC	30	0.1	10	10	-	-10/+90	8
<b>PM-133GN</b>	2"	NC	37	0.1	10	10	-	-10/+90	8
<b>PM-143AN</b>	½"	NO	3	0.1	20	20	-	-10/+90	8
<b>PM-143CN</b>	¾"	NO	8.4	0.1	20	20	-	-10/+90	8
<b>PM-143DN</b>	1"	NO	9.6	0.1	20	20	-	-10/+90	8
<b>PM-143-2EN</b>	1¼"	NO	25	0.1	10	10	-	-10/+90	8
<b>PM-143-2FN</b>	1½"	NO	30	0.1	10	10	-	-10/+90	8
<b>PM-143GN</b>	2"	NO	37	0.1	10	10	-	-10/+90	8

**PM-133.. / PM-143..** REQUIRE INLET PRESSURE 0.1 BAR HIGHER THAN THE OUTLET PRESSURE TO OPERATE THE VALVE.

SELECT COIL  
REQUIRED

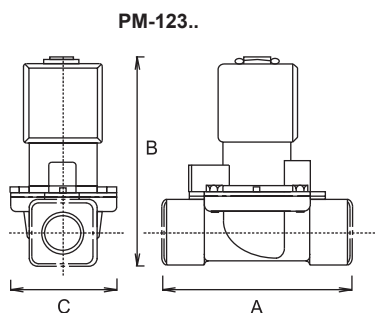
PM-123AV  
PM-123CV & PM-123DV  
PM-143 & PM-133

**ZB09/ 230VAC**  
**JB14/ 230AC**  
**481865 / 230VAC**

**ZB09/ 24VAC**  
**JB14/ 24VAC**  
**481865 / 24VAC**

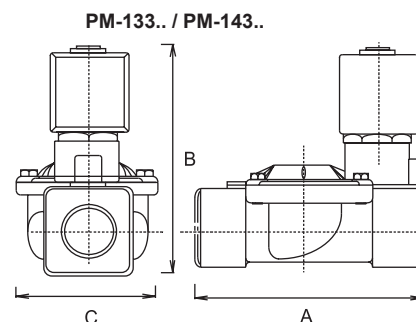
**ZB09/ 110VAC****ZB12/ 24DC**

## DIMENSIONS



Ensure that the arrow on the body points in the direction of flow.

Install the valve with the coil vertical.



PM-123..	A	B	C
AV	72	85	40
CV	100	120	65
DV	104	125	65

PM-133..	A	B	C
AH / AN	72	101	40
CH / CN	100	107	65
DH / DN	104	112	65
2EH / 2EN	145	134	102
2FH / 2FN	145	134	102
GH / GN	173	148	118

PM-143..	A	B	C
AN	72	112	40
CN	100	117	65
DN	104	123	65
2EN	145	144	102
2FN	145	144	102
GN	173	158	118

**WIRING:** Earth, Neutral, Live via DIN plug.

**NOTE:** Do not power the coil until it is tightened as it will OVERHEAT