


AIR DIFFERENTIAL PRESSURE TRANSMITTERS

0-10 VDC / 4-20mA

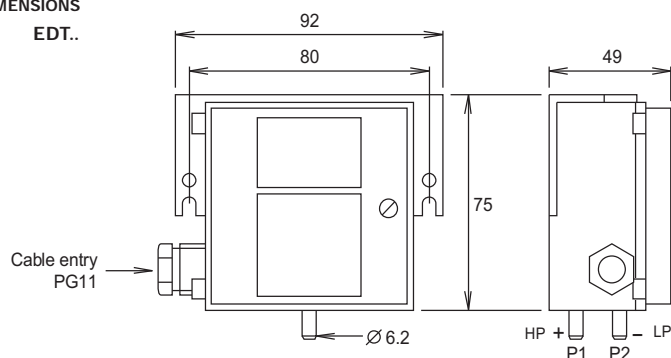
EDT..

<p>These devices measure vacuum, pressure or differential pressure of air and non-combustible, non-aggressive gases across fans, filters, air flow devices etc and give a 0-10vdc output signal linear across the range. Suitable for air conditioning, ventilation and building management systems. Models with square root extracted output are available on request. The duct kit EE-D2 is included.</p>	 <p style="text-align: center;">EDT.. EDT..V</p>	<p>Load : 0-10vdc >10kΩ 4-20mA <400Ω Response time <20ms Max. ambient 70°C Max consumption <30mA Accuracy: EDT-050 <3% EDT- <1% Ceramic sensor Diaphragm: silicone Polycarbonate enclosure Conversion : 1 mbar = 100 Pa Enclosure Flammability EDT.. Lid = UL94-HB Pressure Housing = UL94-V-2 Includes Duct kit</p>
--	---	--

Type	Range mb	Max press mb	Supply ± 15%	Output Signal	Max Media T emp °C	Pressure Connections	Enclosure
EDT-050	-0.5/+0.5	+/-100	24VAC/DC	0-10VDC	70	6.2mm push on	IP65
EDT-1/3/5	0-1/0-3/0-5 selectable	+/-100	24VAC/DC	0-10VDC	70	6.2mm push on	IP65
EDT-10/16/25	0-10/0-16/0-25 selectable	+/-100	24VAC/DC	0-10VDC	70	6.2mm push on	IP65
EDT...MA	As above but 2 wire loop powered 4-20mA output						
EDT...V	As above but with digital display (not available for EDT-050)						

DIMENSIONS

EDT..



SETTING RANGES	EDT-selectable		
			1
			0
Pressure range			
Low	0	0	
Medium	0	1	
High	1	0	
For the EDT..V follow the instructions inside the lid			

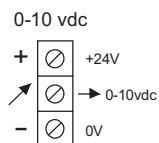
ACCESSORIES:

- EE-BFN** Brass duct flange for 6mm OD metal tube
- EE-D2** Duct kit 2m EE-PH + 2xEE-PT for EDA..
- EE-PH15** PVC hose 5x8mm x 15 metres
- EE-PT** 70mm Plastic duct adaptor for use with PVC hose
- EE-TE** Plastic T connector for use with PVC hose
- EE-TA** Plastic straight connector for use with PVC hose
- EE-TY** Plastic Y connector for use with PVC hose

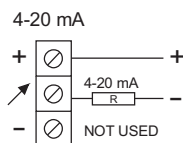


WIRING:

EDT..

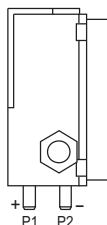


EDT..MA



Use minimum cable size of 7/0.2mm
 Max cable length 100m / 0-10vdc 300m / 4-20mA
 Screened cable is recommended.
 The screen should be earthed at controller end only.
 Keep away from power cables/units which may cause Interference.

INSTALLATION:



Mount vertically as shown.

Mounting with lid facing down will increase the reading by approx. 0.1mbar.
 Mounting with lid facing up will decrease the reading by approx. 0.1mbar.

Always press the RESET button after installation to zero these errors.

Port P1 + = High Pressure .. connect to fan discharge or high pressure side of filter.**Port P2 - = Low Pressure .. connect to fan suction or low pressure side of filter.****The low pressure port can be left open for fan/air flow monitoring**

To monitor vacuum - connect the low pressure port to the high vacuum side.