

SPRING RETURN DAMPER/VALVE MOTORS ON-OFF/0-10VDC

ER08../ER20..

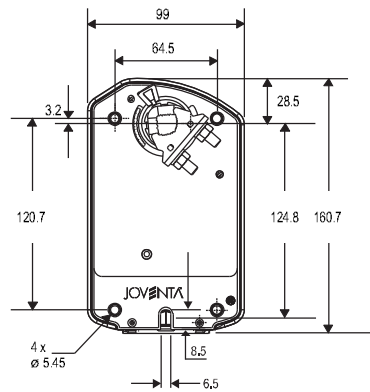
These actuators can be used to control ventilation dampers or valves on applications where safety in the event of loss of power is critical. The motor can be mounted directly to a damper shaft or to a valve using a linkage kit. When the power is on the motor drives or modulates in one direction and when power is removed the motor springs back to the safe position.



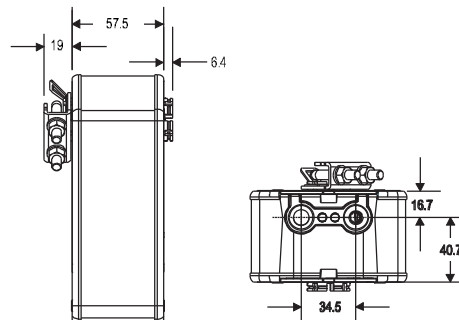
The motor stops automatically when the end positions are reached. Up to 10 motors can be wired in parallel.

Type	Supply 50/60Hz	Operation	Aux switch 230VAC SPDT	Motor Open (sec)	Spring Close (sec)	Torque	Damper Area approx	Enclosure IP rating
ER08-230-2	230VAC	2 wire open/close		60	21	8Nm	2m ²	IP54
ER08-230-2S	230VAC	2 wire open/close	2 x 5(1.5)A	60	21	8Nm	2m ²	IP54
ER08-24-2	24VAC/DC	2 wire open/close		150	22	8Nm	2m ²	IP54
ER08-24-2S	24VAC/DC	2 wire open/close	2 x 5(1.5)A	150	22	8Nm	2m ²	IP54
ER08-24M	24VAC/DC	0-10VDC/4-20mA		150	22	8Nm	2m ²	IP54
ER08-24MS	24VAC/DC	0-10VDC/4-20mA	2 x 5(1.5)A	150	22	8Nm	2m ²	IP54
ER20-230-2	230VAC	2 wire open/close		57	15	20Nm	4m ²	IP54
ER20-230-2S	230VAC	2 wire open/close	2x5(1.5)A	57	15	20Nm	4m ²	IP54
ER20-24-2	24VAC/DC	2 wire open/close		57	15	20Nm	4m ²	IP54
ER20-24-2S	24VAC/DC	2 wire open/close	2x5(1.5)A	57	15	20Nm	4m ²	IP54
ER20-24M	24VAC/DC	0-10VDC/4-20mA		150	26	20Nm	4m ²	IP54
ER20-24MS	24VAC/DC	0-10VDC/4-20mA	2x5(1.5)A	150	26	20Nm	4m ²	IP54

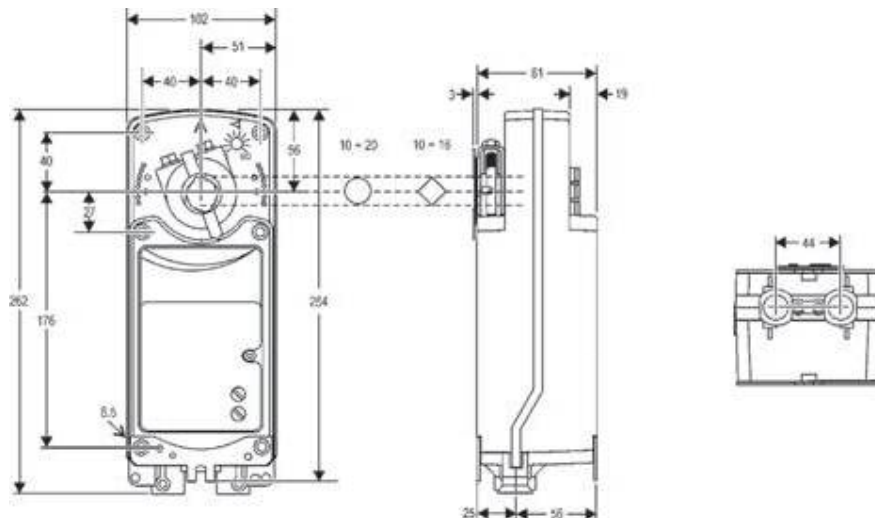
DIMENSIONS



ER-08...

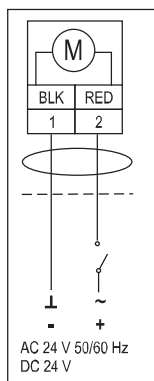


ER-20...

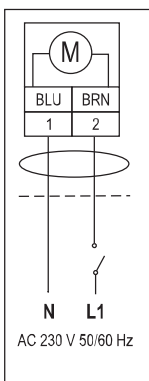


WIRING: Electrical Connections- 1.2m flying lead.

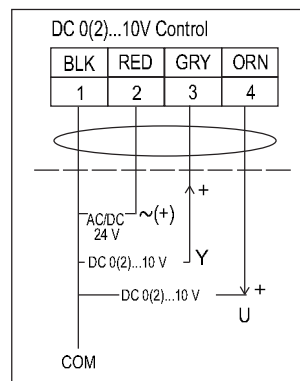
ER-08/ER20-24



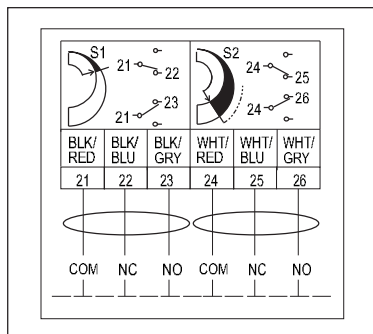
ER08/ER20-230



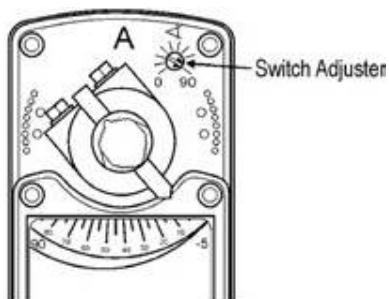
ER08..M/ER20-.../M



Auxiliary switch wiring (if Fitted)



ADJUSTMENTS:



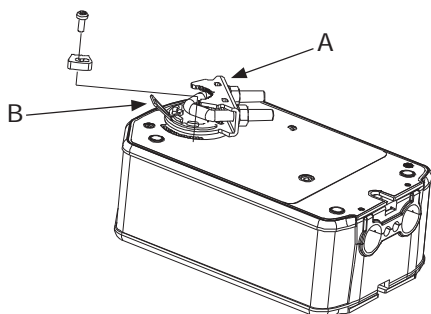
Setting the auxiliary switches

The 10S and 20S models include two integral auxiliary switches with a switch adjuster accessible on either face of the actuator. The nominal factory setting for auxiliary switch S1 is 11° closing, and the nominal factory setting for auxiliary switch S2 is 81° opening.

The switch point of auxiliary switch S1 is fixed.

The switch point of auxiliary switch S2 is independently and continuously adjustable from 25° to 95°.

The switching position can be manually changed to any required position by turning the ratchet



Direction of rotation

Side A Spring return counter clockwise direction

Side B Clockwise direction

PLEASE NOTE

The ER08 and ER20 spring return actuators cannot be fitted to the ER16 linkages. Call Sales for equivalents.