

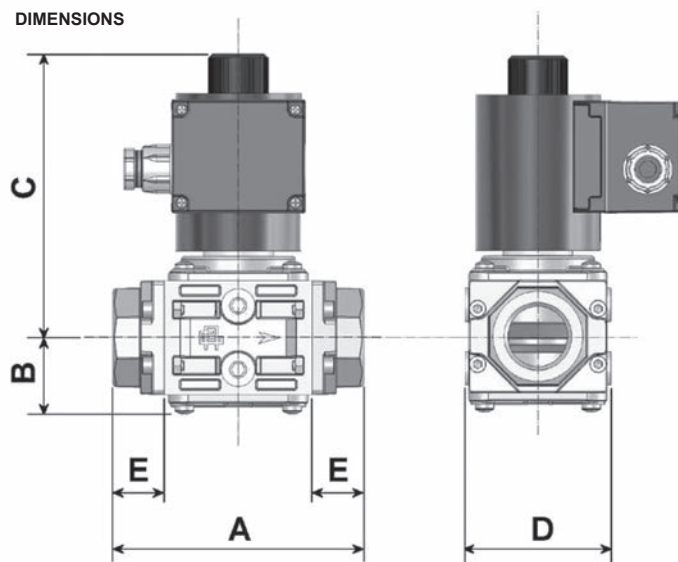
A range of valves which open on energisation and close on de-energisation having automatic reset. These are suitable for the safety control of gases into buildings with Town gas, Natural gas or LPG. The gas flow through the valve can be regulated and models with a closed position indicator switch are available.



Open/close time less than 1 sec
 Max 16 operations per minute
 Media temperature -10 to 60 deg C
 Max inlet pressure 200mbar
 Aluminium body with female Rp threads
 230VAC coil (110VAC and 24VAC option)

Type	Size	Female Thread	Supply	Coil rating	CPI switch
2005 230 V	3/4	Rp 3/4	230VAC	22VA	No
2006 230 V	1	Rp 1	230VAC	22VA	No
2007 230 V	1 1/4	Rp 1 1/4	230VAC	30VA	No
2008 230 V	1 1/2	Rp 1 1/2	230VAC	30VA	No
2009 230 V	2	Rp 2	230VAC	60VA	No
2005 230 VC	3/4	Rp 3/4	230VAC	22VA	Yes
2006 230 VC	1	Rp 1	230VAC	22VA	Yes
2007 230 VC	1 1/4	Rp 1 1/4	230VAC	30VA	Yes
2008 230 VC	1 1/2	Rp 1 1/2	230VAC	30VA	Yes
2009 230 VC	2	Rp 2	230VAC	60VA	Yes

DIMENSIONS



Model		A	B	C	D	E
BC 2005V	Rp 3/4"	126	38	142	74	26
BC 2005 VC	Rp 3/4"	126	38	222	74	26
BC 2006V	Rp 1"	126	38	142	74	26
BC 2006 VC	Rp 1"	126	38	222	74	26
BC 2007V	Rp 1.1/4"	167	57	167	113	29
BC 2007 VC	Rp 1.1/4"	167	57	247	113	29
BC 2008V	Rp 1.1/2"	167	57	167	113	29
BC 2008 VC	Rp 1.1/2"	167	57	247	113	29
BC 2009V	Rp 2"	195	62	171	135	32
BC 2009 VC	Rp 2"	195	62	251	135	32

INSTALLATION

Observe the local Codes of Practice.

Ensure adequate gas and electricity supply and suitable ambient temperature range.

Mount in any orientation providing the actuator is above the valve body.

Ensure gas supply is OFF before installation.

Connecting pipework must be clean.

Apply suitable thread sealant to the pipework only, not the valve internal thread.

Leak test after installation before the electrical supply is switched on.

FLOW CHART

