
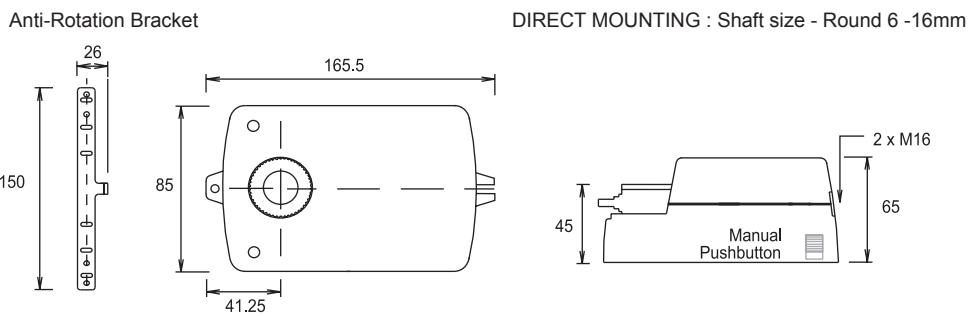


**DAMPER / VALVE MOTORS
4Nm MODULATING**

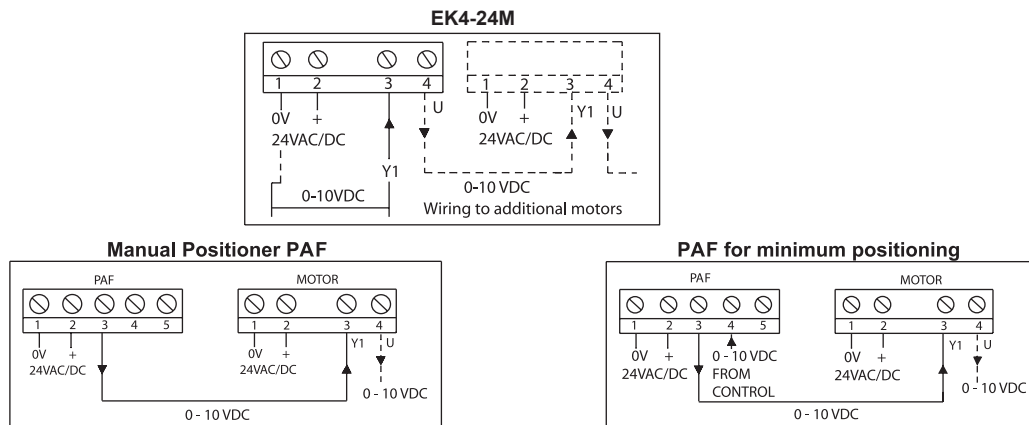
EK4-24M

<p>These small motors can be fitted directly onto air damper shafts as used in HVAC systems. They are also suitable for use on control valves. The rotary operation modulates according to the 0-10vdc signal in order to open and close dampers, valves etc.</p>			<p>The motor stops automatically when the end positions are reached. Up to 5 motors can be wired in parallel. Max. ambient -20/+50°C Max angle of rotation 90° Adjustable angle of rotation limiter 0-30° & 90-60° Reversible position indication 0-10, 10-0 Noise level 40dB Manual Override Supply : 24VAC/DC±15% Enclosure Flammability = UL94-V0</p>				
	50/60Hz		Approx		Approx	VA	
EK4-24M	24VAC/DC	0-10vdc	35s	4Nm	1m ²	3.5	IP44

DIMENSIONS



WIRING:



INPUT RESISTANCE Y1 > 100KΩ LOAD RESISTANCE U > 50KΩ
 ON POWER CUT THE MOTOR STOPS. IF THE INPUT SIGNAL IS CUT, THE MOTOR RETURNS TO 0VDC POSITION
 Terminals 0.5-2.5mm² Min sensor cable size 7/0.2mm Max length 100m. Screened cable is recommended.
 The screen should be earthed at controller end only Keep sensor wires away from power cables/units which may cause interference.

SETTING:

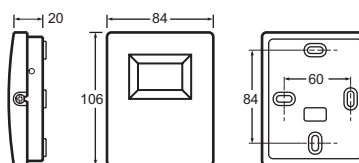


ACCESSORIES:

PAF Digital Positioner
0-100%
Wall Mounting



Dimensions (mm)



Supply 24VAC/DC
Output 0-10VDC (0-100%)
Steps 1%

Output 0-10vdc or 2-10vdc selectable