

LIQUID PRESSURE SWITCHES

EP..

■ Suitable to monitor static or positive pressure of water, air, oil, diesel, steam** etc & switch in the event of high or low pressure conditions. Two switches must be used if both high and low pressures are to be controlled.

EP-2..32

EP..M / ML

EP-003 / 008

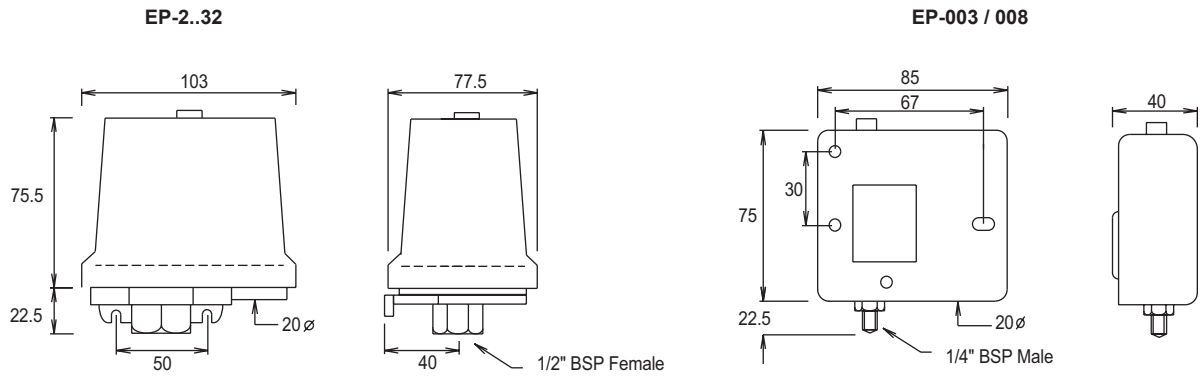
* The minimum differential will gradually increase by approx 60% as the switch setting is increased.
Max. media temp. 80°C

**The pressure line can be formed into a U shape/syphon for media temperatures up to 300°C.

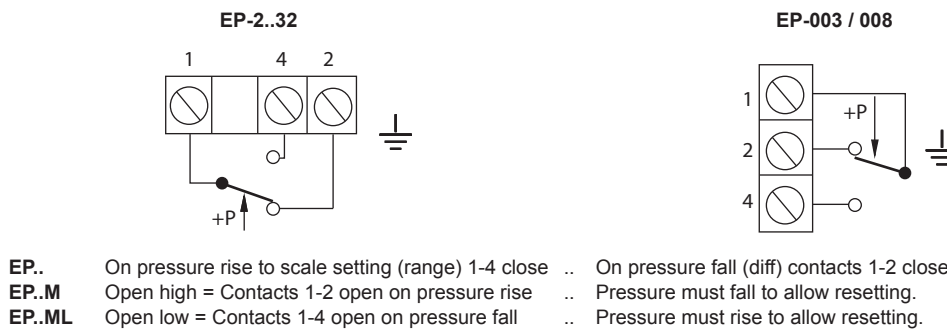
Tamper proof adjustment
Volt free contacts
Max. ambient 70°C
Enclosure Flammability = UL94-V2

Type	Range Bar	Diff Bar	Max Press. Bar	230VAC SPDT	Media Contact Materials	Pressure Connections	Enclosure
EP-2	0.1/2	* 0.07/1.9	40	16(6)A	Cast Aluminium/Nitrile	½" BSP Female	IP65
EP-4	0.2/4	* 0.15/3.7	40	16(6)A	Cast Aluminium/Nitrile	½" BSP Female	IP65
EP-8	0.5/8	* 0.3/7.5	40	16(6)A	Cast Aluminium/Nitrile	½" BSP Female	IP65
EP-16	1/16	* 0.6/15	40	16(6)A	Cast Aluminium/Nitrile	½" BSP Female	IP65
EP-4M	0.2/4	hand reset open high	40	16(6)A	Cast Aluminium/Nitrile	½" BSP Female	IP65
EP-4ML	0.2/4	hand reset open low	40	16(6)A	Cast Aluminium/Nitrile	½" BSP Female	IP65
EP-003	0.3/3	0.25/2	12	24(10)A	Brass Tin Plated/Phosphor Bronze	¼" BSP Male	IP40
EP-008	0.5/8	0.5/5	12	24(10)A	Brass Tin Plated/Phosphor Bronze	¼" BSP Male	IP40

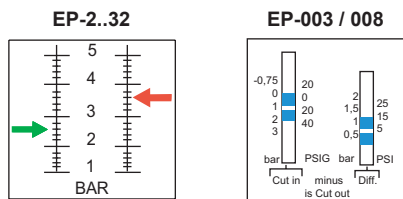
DIMENSIONS



WIRING:



SETTING:



EP-2..32 : Set the RED arrow FIRST to the High switch point, then set the GREEN arrow to the Low switch point. The differential is RED minus GREEN setting.

EP-003 / 008 : Set the RANGE FIRST to the High switch point, then set the DIFF to the Low switch point, the differential is RANGE minus DIFF setting.