

EL-140 / 141, ETF-1

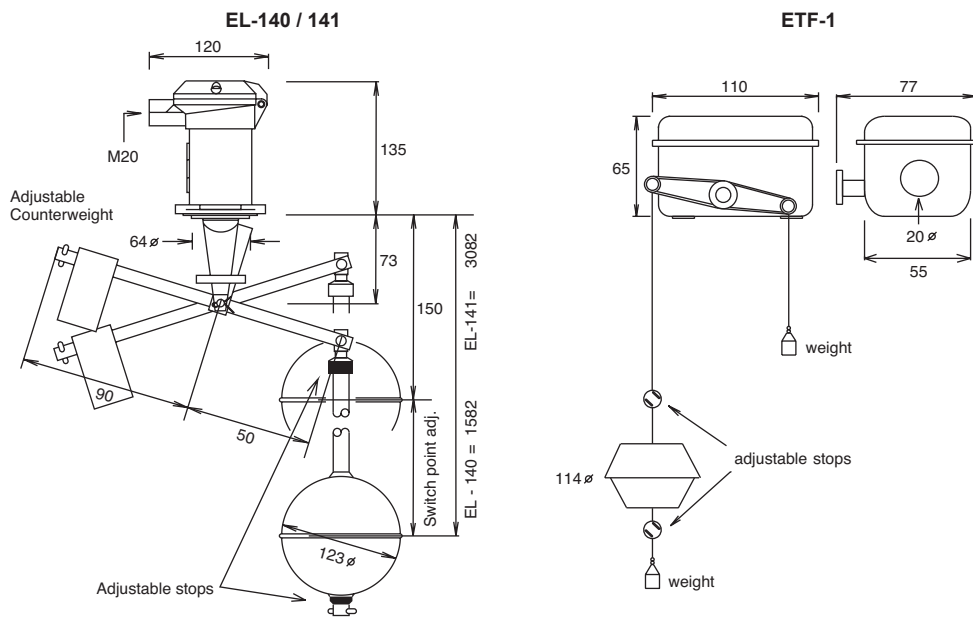
To monitor liquid level in tanks and switch pumps or an alarm in the event of high or low level. Two switches are required when using both high and low level or limit and alarm functions. EL-140 / 141 switches contain magnets, therefore ensure that no metal objects are present in the liquid.



Volt free contacts
Max. ambient 70°C
Liquid sp. gravity > 0.75
Enclosure Flammability:
EL.. = Metal ETF.. = UL94-HB
Media :
ETF.. Oil, Diesel, Water,
Non-aggressive fluids
EL-140 / 141 Oil, Diesel, Water,
Some aggressive fluids

Type	Mounting Cut-in	Diff. mm	Max. Media Temp °C	Max. Media Press. Bar	230VAC SPDT	Media Contact Materials	Enclosure
EL-140	Vertical	30/1340 adj.	330	25	10(5)A	Stainless steel	IP65
EL-141	Vertical	30/2340 adj.	330	25	10(5)A	Stainless steel	IP65
ETF-1	Vertical	30/900 adj.	65	5	10(5)A	Nylon/Plastic	IP54

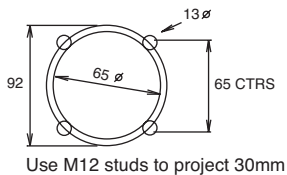
DIMENSIONS



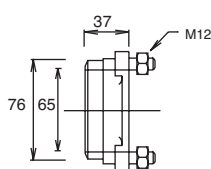
When float reaches upper adj stop C-NC close : When float reaches lower adj stop C-NO close
EL-140/141 - The counter balance/weight on the arm/lever should be adjusted for correct operation.

DRILLING DETAIL:

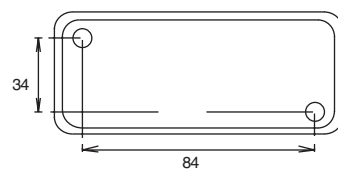
EL-041 DIRECT MOUNTING



EL-MF.. WELDED MATING FLANGE



ETF-1



ACCESSORIES:

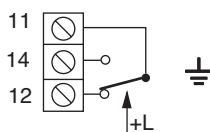
WELDED MATING FLANGE for EL-041, 141

EL-MF Carbon Steel

EL-MF/ST Stainless Steel

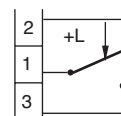
WIRING:

EL..



On level rise contacts 11-14 close 11-12 open.
On level fall contacts 11-12 close 11-14 open.

ETF..



On level rise contacts 1-3 close 1-2 open.
On level fall contacts 1- 2 close 1-3 open.