
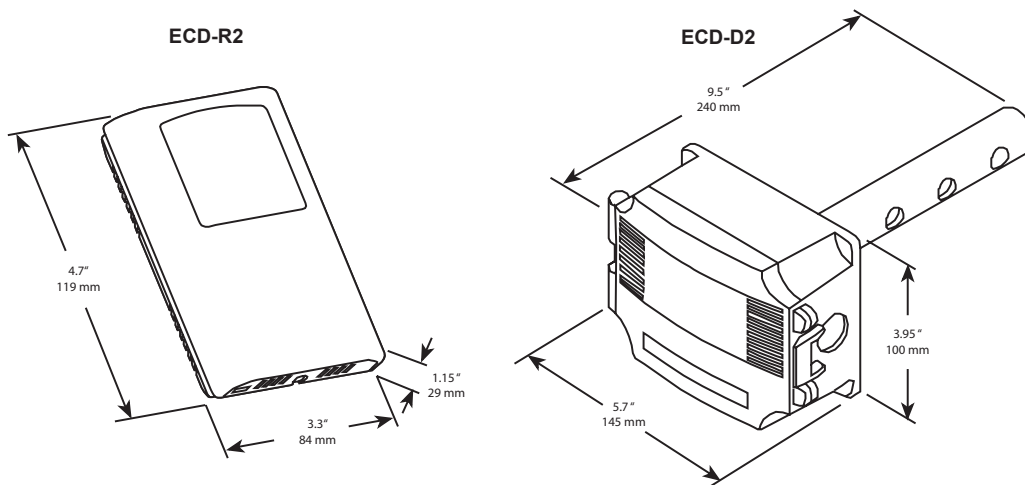


ECD..

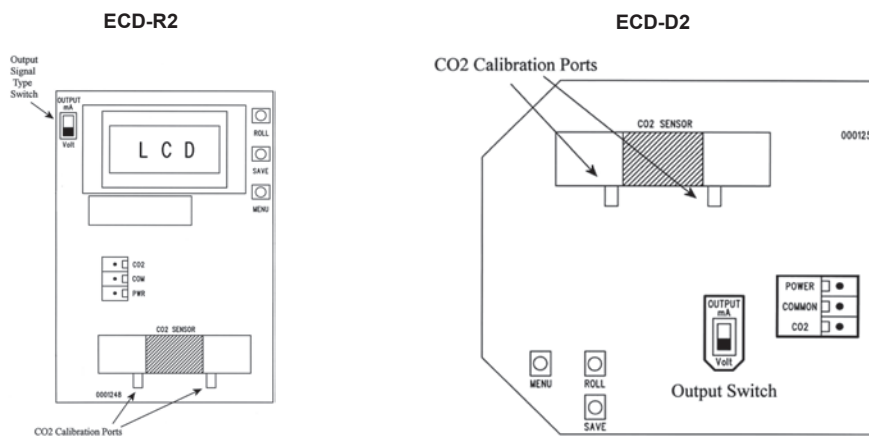
<p>These devices detect the presence of Carbon Dioxide only and give a 0-10vdc or 4-20mA output signal linear across the range. Suitable for use in clean areas such as no-smoking rooms, theatres, conference rooms etc.</p>			<p>Sensing element : Non-dispersive Infra Red. Repeatability ± 20ppm Sensor Accuracy 0-2000ppm ± 75ppm 2min Response time Calibration interval 3 years dependant on conditions. Enclosure Flammability = UL94-HB</p>					
	Type	Mounting	Range PPM Programmable	Supply $\pm 15\%$	Output Selectable	Consumption Max	Media Temp °C	Media Humidity %RH

ECD-R2	Room	1000-7500	24VAC/DC	0-10vdc/4-20mA	100mA	0/50	5/95	IP30
ECD-D2	Duct	1000-7500	24VAC/DC	0-10vdc/4-20mA	100mA	0/50	5/95	IP64

DIMENSIONS:



WIRING:



INSTALLATION:

ECD-R2 Install in a clean environment in an area with good air movement. Mount in g height 1.5 - 2m
 Avoid areas of localised heat, windows, doors etc
ENSURE VENT HOLES ARE FACING DOWN.

ECD-D2 Install in a clean environment in the return air duct.
 Position the unit away from heat sources.
 The holes in the tubes should face parallel to the air flow.
 The direction of air flow can be reversed.

SET UP USING THE MENU FUNCTION

Eight functions can be set up using the menu using the tree buttons

MENU To enter set up or advance to the next step.

ROLL To change the programme variables.

SAVE To save to memory and advance to the next item.

Press MENU to enter the set up menu.

Out high Change the range between 1000 and 7500ppm.

Altitude Set to local altitude.

Auto Call Corrects sensor drift - ON if varying CO2 level.
 OFF if constant CO2 level.

Out type Select 0-5VDC or 0-10VDC. If mA/Volt switch is set to mA then mA will be displayed.

Text

Calibrat Used for 1000ppm gas calibration.

Restore SAVE to restore defaults or MENU to exit.

Defaults

Press SAVE to exit menu.