

**LIGHT LEVEL TRANSMITTERS
0-10VDC**

ELT..

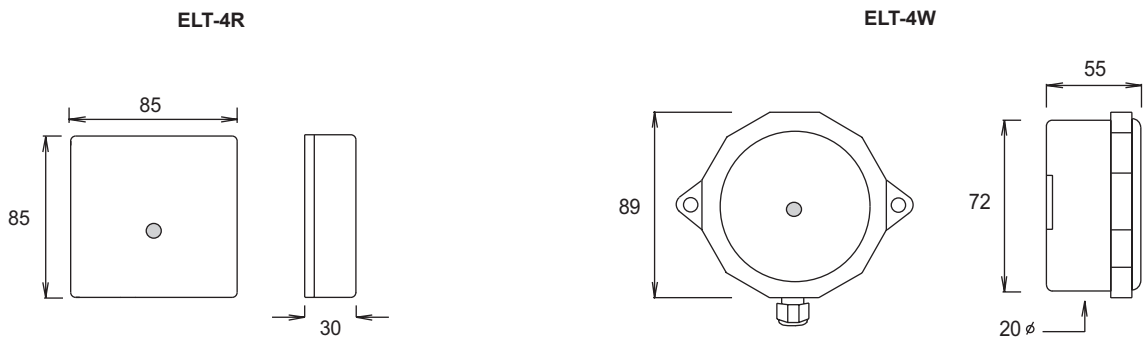
<p>■ Senses light level and transmits a 0-10VDC signal linear across the selected range. Suitable for use with Building Management Systems.</p>	 <p>ELT-4W ELT-4R</p>	<p>Room sensor can be mounted on round or square outlet box. Consumption < 30mA Load Resistance >10KΩ Accuracy ± 3% Enclosure Flammability: ELT-4R = UL94-HB ELT-4W = UL94-V0</p>
---	--	---

Type	Selectable Range Lux	Supply ± 10%	Output Signal	Vision Angle	Mounting	Enclosure
ELT-4R	10/2000, 10/4000, 10/10000, 10/20000	24 VAC/DC	0-10VDC	120°	Room	IP30
ELT-4W	10/2000, 10/4000, 10/10000, 10/20000	24 VAC/DC	0-10VDC	120°	Outside	IP65

Approx Lux levels :

Average daylight	2000	Bright Sunlight	20000+
Minimum for Outdoor Areas	25	External walkways/Car Parks	50
Internal Warehouse Areas	150	Office/Retail Areas	500
Minimum task lighting	200	Precision Tasks ie assembly, machine operation	1500
Dusk	15 to 20		

DIMENSIONS



WIRING:

ELT..



INSTALLATION: Terminals 0.5 -2.5mm Min sensor / control signal cable size 7/0.2mm Max length 100m

Screened cable is recommended The screen should be earthed at controller end only

Keep sensor/control signal wires away from power cables/units which may cause interference.