


**B.M.S RESISTANCE INPUT MODULE  
135/1000Ω IN 0-10VDC OUT**

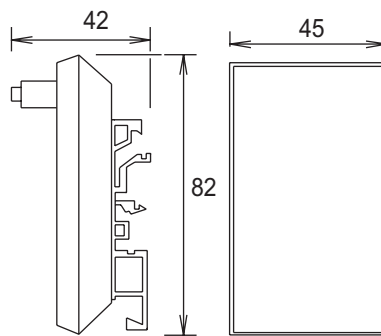
**ERIM**

<p>These units convert 0-135 ohm or 0-1000 ohm input to a 0-10vdc output.</p>	 <p>ERIM</p>	<p>Multi-turn pot to adjust output. LED indication Max ambient -10 /+50°C Din-Rail mounting Flammability = UL94-V0</p>
---	---	--

Type	Supply ±10%	Input Adjustable	Output	Consumption	Mounting	Protection
<b>ERIM 135R</b>	24VAC/DC	0-135Ω	0-10VDC	20mA	Din Rail	IP00
<b>ERIM 1K</b>	24VAC/DC	0-1000Ω	0-10VDC	20mA	Din Rail	IP00

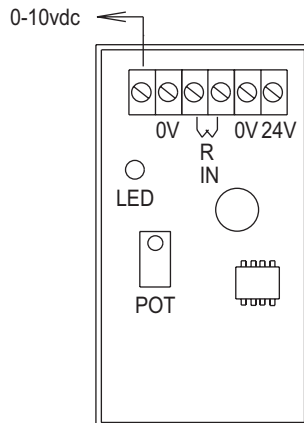
**DIMENSIONS**

**ERIM 135R/1K**



**WIRING:**

**ERIM 135R/1K**



**INSTALLATION:** Terminals 0.5-2.5mm rising clamps  
 Screened cable is recommended  
 Keep sensor/control signal wires away from power cables/units which may cause interference.

Min sensor / control signal cable size 7/0.2mm  
 The screen should be earthed at the controller end only