

E1RMD

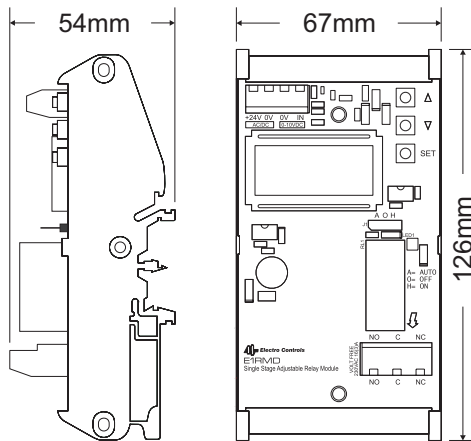
This product is a single relay module. The relay is energised when an upper voltage is reached and deenergised when a lower voltage is reached. The voltages are set digitally using the built in liquid crystal display.



Volt free contacts
Digital setting of relay voltage
Ambient -10 to +50 deg C
DIN rail mounting

Type	Input Range	Input Resolution	Supply Voltage +15%	Switch rating	Power consumption	Enclosure
E1RMD	0-10VDC	0.1VDC	24VAC/DC	10(3)A	0.5W max	IP00

DIMENSIONS/TERMINATIONS:



TIMING DIAGRAM:

E1RMD TIMING DIAGRAM:

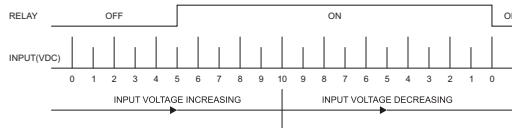
INPUT	SEQUENCE	RELAY
0V	0	OFF
4V	1	ON
7V	2	OFF
10V	3	OFF

INPUT	STAGE	RELAY
0V	0	OFF
5V	1	ON
10V	2	ON

SEQUENCE MODE:



STAGE MODE:



This diagram shows how the state of the relay changes with the input 0-10VDC voltage in the default voltage settings case. The diagram also identifies the step numbers for each mode for use if the default energisation voltages are to be changed.

SET UP:

Wire the E1RMD to the wiring diagram noting that the correct polarity of the 0-10VDC is important. Set the AUTO-OFF-HAND link to AUTO.

Setting the control mode

Whilst holding down the ↓ pushbutton turn on the power. The display will show MODE and SET. Using the ↑ ↓ pushbuttons step through the modes of STAGE and SEQUENCE. Confirm the required mode using the SET button.

Setting the required relay energisation voltages

The Timing diagram shows the default relay state at various DC input voltages. If these values are satisfactory there is no need to make any changes.

If changes are required to the energisation voltages proceed as follows:

Press the SET pushbutton. The display will show MODE and the selected control mode eg STAGE or SEQUENCE, the step number 0 and a flashing SET indication and voltage value. Use the ↑ ↓ pushbuttons to set the required voltage value. Press the SET button to confirm. The display will now show the step number 1 and a flashing SET indication and voltage value. Use the ↑ ↓ pushbuttons to set the required value. Press the SET button to confirm.

Continue this process for the step number 3 (if appropriate for the selected mode), Press SET again.

The display will show MODE, the selected control mode and the voltage value.

In use, when the relay is energised the adjacent red led will be lit.

INSTALLATION:

Observe the local regulations regarding electrical installations. Size the power cables according to the load.