

FAN SPEED CONTROLS 230VAC 1 PHASE MANUAL OPERATION

MTY.. STL..

These electronic controls are used to manually adjust the speed of motors via a max - min adjusting knob on the front which reduces/increases the supply voltage to the motor. Before selecting a control its compatibility must be ensured. Please read the Motor Selection Guide on a separate data sheet.

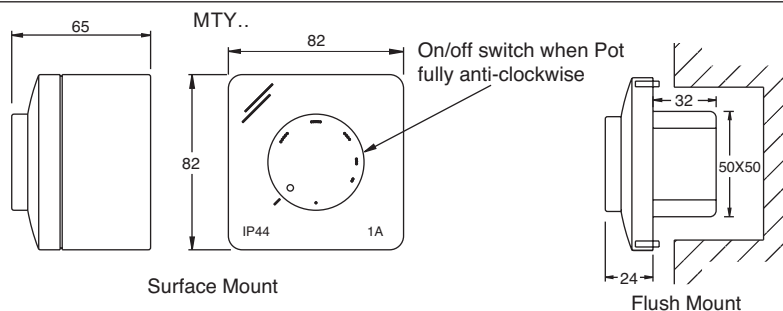


When the unit is switched on and also when power is re-applied (with the speed control switch already in the on position), it will run up to the speed that is set by the potentiometer position.

Type	Nominal Current	Supply 50-60Hz	Fast Blow Fuse Type "F" Fitted	Start Sequence	Manual Speed Adjustment	Mounting	Enclosure
MTY-0-05-AT	0.5A	230Vac	630mA	Pot Position	Internal pot	Surface and flush	IP44
MTY-0-10-AT	1A	230Vac	1.25A	Pot Position	Internal pot	Surface and flush	IP44
MTY-0-20-AT	2A	230Vac	2.5A	Pot Position	Internal pot	Surface and flush	IP44
MTY-0-40-AT	4A	230Vac	5A	Pot Position	Internal pot	Surface	IP54
STL-0-15-AT	1.5A	230Vac	3A	Pot Position	Internal pot	Surface	IP54
STL-0-30-AT	3A	230Vac	5A	Pot Position	Internal pot	Surface	IP54
STL-0-50-AT	5A	230Vac	8A	Pot Position	Internal pot	Surface	IP54
STL-0-60-AT	6A	230Vac	8A	Pot Position	Internal pot	Surface	IP54
STL-0-100-AT	10A	230Vac	14A	Pot Position	Internal pot	Surface	IP54

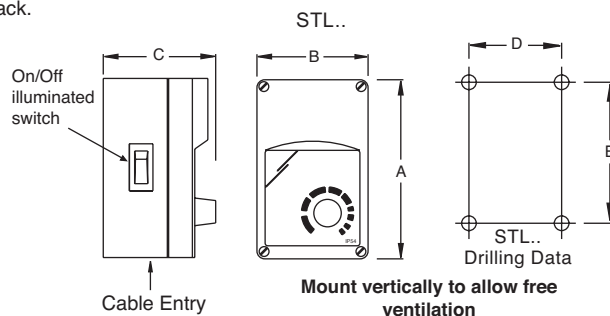
Minimum Speed can be set via the internal trim potentiometer. The maximum current is based on max ambient of 30 C. Enclosure : Plastic. Several motors can be connected at once as long as the speed control's maximum current is not exceeded. Suitable for 2 or 3 wire motors. The Speed Control's maximum current must be just larger than the nominal motor running current. Start current can be 3 x nominal current.

DIMENSIONS

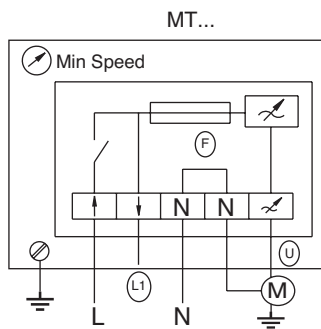


Electrical entry is possible from the bottom or from the back.

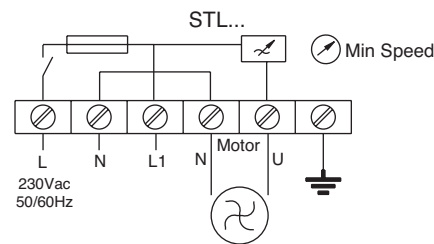
kg	STL-0-15-AT	STL-0-30-AT	STL-0-50-AT	STL-0-60-AT	STL-0-100-AT
	0.325	0.350	0.440	0.650	0.710
A	160			195	
B	83			115	
C	88			95	
D	71			98	
E	108			140	



WIRING:



L - Live supply via On/Off switch: 230Vac
 F- Fuse-box with spare fuse (Ceramic, Type "F")
 L- Controlled live output to motor
 L1- Non controlled live output 230Vac for 3 wire motors, or it can be used as a live supply to the controller, bypassing the On/Off switch which is incorporated in the turning knob/potentiometer.
 All cables, isolators & external fuses must be fitted according to local regulations, safety & motor manufacturers requirements.



L1 : Live supply bypassing the Fuse & On/Off switch (which is on the side) or it can be used as a supply for 3 wire motors.