

WIRELESS ROOM THERMOSTAT

ER-RF1

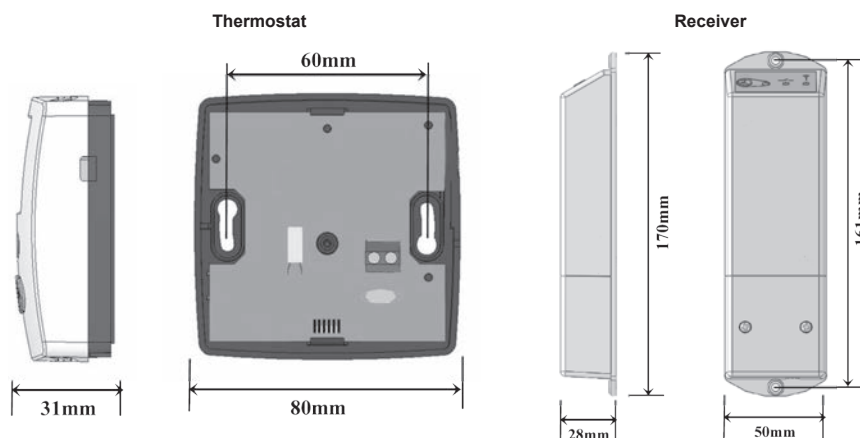
■ This product kit consists of a digital room thermostat with an RF link (433.92 Mhz) to the receiver. No wiring to the thermostat is necessary



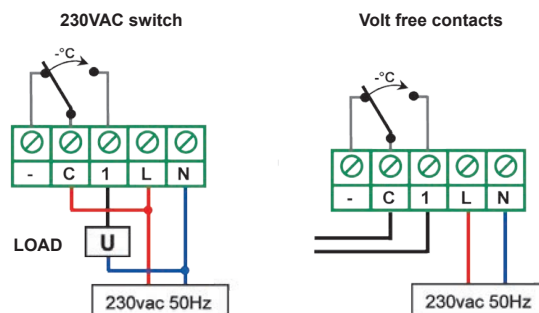
Receiver contacts can be wired volt free or as a 230VAC switch Receiver terminals 1mm sq
Wireless range 30m in a building

Type	element	supply voltage	Range deg C	Resolution	230VAC SPDT	Enclosure
ER-RF1	Thermostat	Battery	5-37 deg C	0.5 deg C	-	IP30
	Receiver	230VAC 50Hz			12A	IP41

DIMENSIONS:



RECEIVER WIRING:



OPERATION and SETTINGS:

Before carrying out any settings remove the plastic battery keepers from the Thermostat and apply a 230VAC supply to terminals L and N of the Receiver.

Receiver mode selection

The left hand pushbutton can be used to select the modes of AUTO, MANUAL (yellow led) or RF init (green led) as required.

Radio configuration

Place the receiver adjacent to the room thermostat and press the receiver MODE button for more than 5 secs to select the RF init mode.

The green led on the receiver will be lit.

Press the centre key on the room thermostat for more than 5 secs. The green led on the receiver will begin to blink.

Exit the radio configuration mode by pressing the thermostat centre button.

Setting of Installation parameters on the thermostat

Press the thermostat centre button for more than 5sec to enter the parameter menu.

Use the + or – buttons to step through the menu until the parameter J1 (Operating Mode) is shown

Press the centre button select HOT or CLD as required.

Wait until the actual temperature is displayed again which will confirm the setting.

If required the other parameters on the data sheet can be set up in the same way.

See the Product Data Sheets supplied with the product for further detailed instructions.

Thermostat mode selection and setting

Having selected HOT or CLD parameter as above:

Use the centre key on the thermostat to select the mode of OFF, COMFORT or REDUCED.

OFF mode turns the heating installation off.

COMFORT mode allows the heating to be forced on after the HOT installation parameter has been selected as above. When the – or + buttons are pressed the temperature indication blinks and can be adjusted.

Confirm the setpoint by pressing the centre button.

REDUCED temperature mode allows the cooling to be forced on after the CLD installation parameter has been selected as above. When the – or + buttons are pressed the temperature indication blinks and can be adjusted. Confirm the setpoint by pressing the centre button.

DISPLAY

- 1: Operating mode menu.
- 2: Heater indication.
- 3: Cooler indication.
- 4: Batteries weak.
- 5: If lit-up 6 displays the measured temperature
- 6: Measured temperature or setting temperature.
- 7: °C or °F indicator.
- 8: Moving bars when transmitting a radio signal Or Title for installation Parameters (rF, J0,CLr...)

