

**SENSORS / ADJUSTERS / DISPLAYS
FOR ETE.. THERMOSTATS / E13.. CONTROLLERS**

E10..

NTC sensors, adjusters & displays for use with ETE.. Electroic Thermostats / Thermometers & E13.. Temperature Controllers.

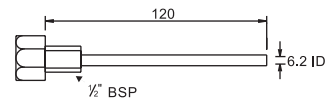
Enclosure Flammability:
E10-D, I, S, X = UL94-V0
E10-H, R, V = L94-HB
E10-T = UL94-V2



| Type | Function | Description | Dimensions | Protection |
|------------------------------|--------------------|--|-----------------------------|------------|
| E10-B | Bead sensor | With 2 way terminal strip | - | IP00 |
| E10-C | Cable Sensor | With 2mm cable | Sensor 7.1 mm dia x 40 | IP65 |
| E10-D | Duct sensor | Probe length 160mm | Approx 80 dia x 55 | IP65 |
| E10-DA | Duct Averaging | Probe length 160mm (use 2 x E10-DA for averaging) | Approx 80 dia x 55 | IP65 |
| E10-GS | Thimble sensor | Stainless Brushed Satin with 200mm cable. Drill hole 12 dia | Dome dia 15 x 16.5 L | IP30 |
| E10-GB | Thimble sensor | Brass with 200mm cable. Drill hole 12 dia | Dome dia 15 x 16.5 L | IP30 |
| E10-GW | Thimble sensor | White with 200mm cable. Drill hole 12 dia Other colours on request | Dome dia 15 x 16.5 L | IP30 |
| E10-H | Black bulb sensor | For radiant tube heaters | 85H x 85W x 30D + bulb 16mm | IP30 |
| E10-I | Immersion sensor | ORDER POCKET SEPARATELY Probe length 120mm | Approx 80 dia x 55 | IP65 |
| E10-K | Fan coil sensor | With duct flange & 2m cable | Duct tube 80mm long | IP65 |
| E10-R | Room sensor | Can be mounted on square or round outlet box | 85H x 85W x 30D | IP30 |
| E10-RA | Room sensor | As E10-R (use 2 x E10-RA for averageing) | 85H x 85W x 30D | IP30 |
| E10-S | Strap-On sensor | Includes fixing strap for up to 6" dia. Pipe. 2m cable | Approx 80 dia x 55 | IP65 |
| E10-V | Room sensor + Knob | With knob adj ±4°C above & below main set point knob setting | 85H x 85W x 30d + knob | IP30 |
| E10-X | Outside sensor | Weather proof | Approx 80 dia x 55 | IP65 |
| E10-P50 | Setpoint adjuster | -10/+50°C Front panel moubting | 48H x 48W | |
| E10-P95 | Setpoint adjuster | 25/95°C Front panel mounting | 48H x 48W | |
| E10-P4 | Setpoint adjuster | ±4°C Front panel mounting. For minor adjustment of main set point knob setting | 48H x 48W | |
| E10-T | Digital display | Selectable -10/+50°C or 25/95°C 230 VAC supply. Front panel mounting 48H x 96W x 104D Panel cut-out Only for use with ETE.. Thermostats or E13.. Temperature Controllers | 44H x 91W | IP00 |
| OPTIONAL E10-T.. ONLY | | L24 = 24VAC supply | | |

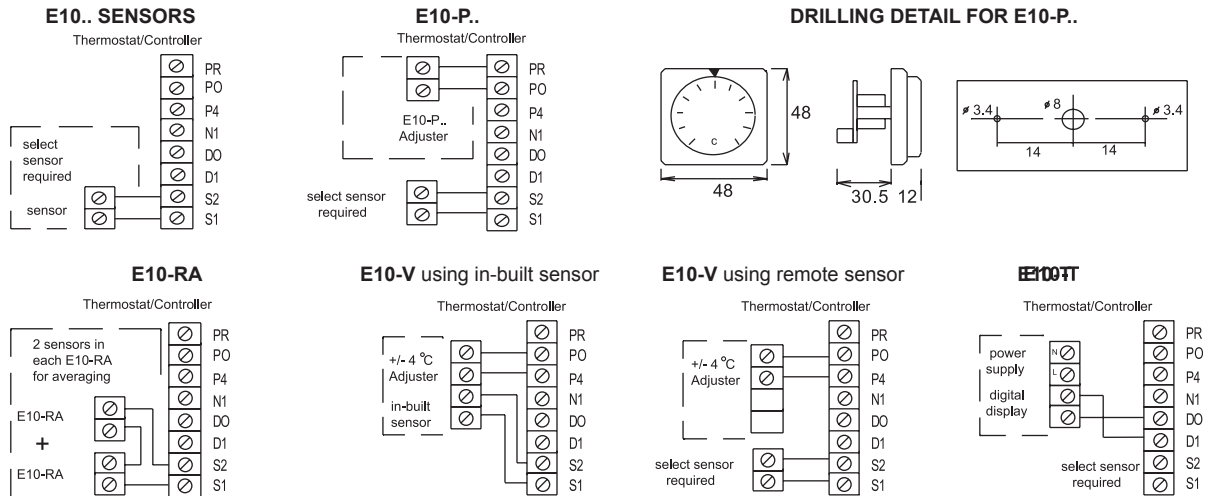
| | | | | | | | | | | | | | | | | | | | | | | |
|-----------------|-----|----|----|----|------|------|----|----|-----|-----|----|----|-----|-----|-----|----|-----|-----|-----|----|-----|-----|
| Temperature °C: | -10 | -5 | 0 | 5 | 10 | 15 | 20 | 25 | 30 | 35 | 40 | 45 | 50 | 55 | 60 | 65 | 70 | 75 | 80 | 85 | 90 | 95 |
| Resistance KΩ: | 54 | 40 | 30 | 25 | 20.5 | 15.2 | 12 | 10 | 7.8 | 6.2 | 5 | 4 | 3.3 | 2.7 | 2.2 | 2 | 1.6 | 1.4 | 1.1 | 1 | 0.9 | 0.8 |

ACCESSORIES: EE-2B ½" BSP x 120mm Brass pocket for E10-I
EE-STK ½" BSP x 120mm Stainless Steel pocket for E10-I



Special Face Plates are available in Brass, White, Satin and others on request
Sensors with adjustment and fan speed switch are available on request.

WIRING:



INSTALLATION: Terminals 0.5 -2.5mm² Max length 100mm. Sensor cable size 7/0.2mm Screened cable is recommended. Keep away from power cables/units which may cause interference. The screen should be earthed at the controller end only.