

OUTSIDE FROST THERMOSTATS

EOF..

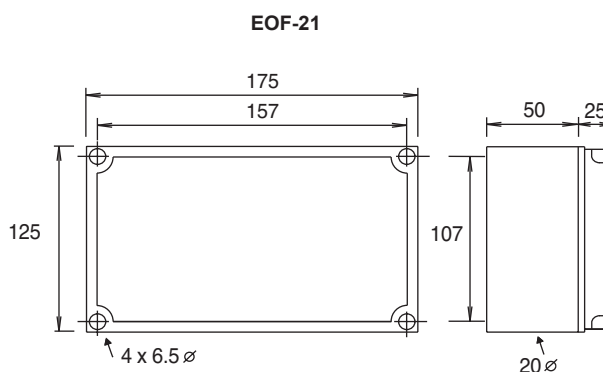
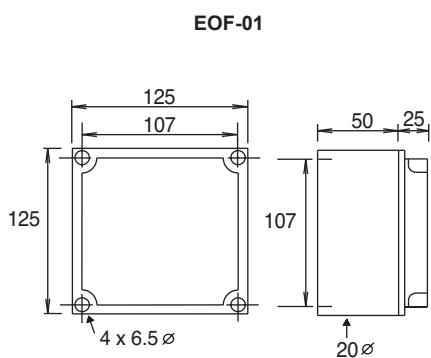
EOF thermostats are used to monitor temperature outside buildings and switch heating/cooling or other units in the event of high/low temperatures. The EOF-01 is a single function unit and the EOF-21 is a dual function unit which has 2 separate thermostats inside one enclosure.



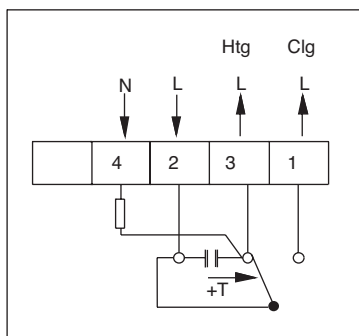
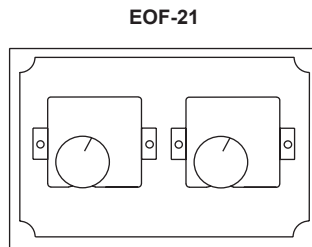
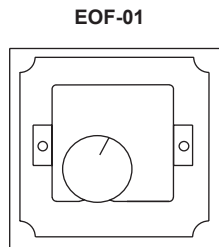
Adjustment under the cover on all models
 Enclosure Flammability = UL94-V2
 EOF-01 is single function
 EOF-21 is dual function (2 thermostats inside one enclosure)

Type	Range °C	Diff °C	230VAC SPDT	Sensing Element	Max. Ambient °C	Enclosure
EOF-01	-20/+30	1	10(3)A	Bimetal	60	IP65
EOF-21	-20/+30 & -20/+30	1	2x10(3)A	Bimetal	60	IP65

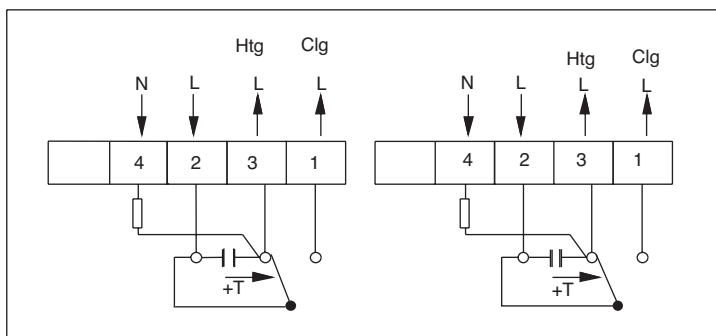
DIMENSIONS



WIRING:



On temperature rise 2-1 close
 On temperature fall 2-3 close



On temperature rise 2-1 close
 On temperature fall 2-3 close

INSTALLATION: Outside Thermostats & Sensors which are used for frost protection should be mounted on the North side of the building. If this is not possible, shield the sensor from direct sunlight.