

BRC.. ESS..

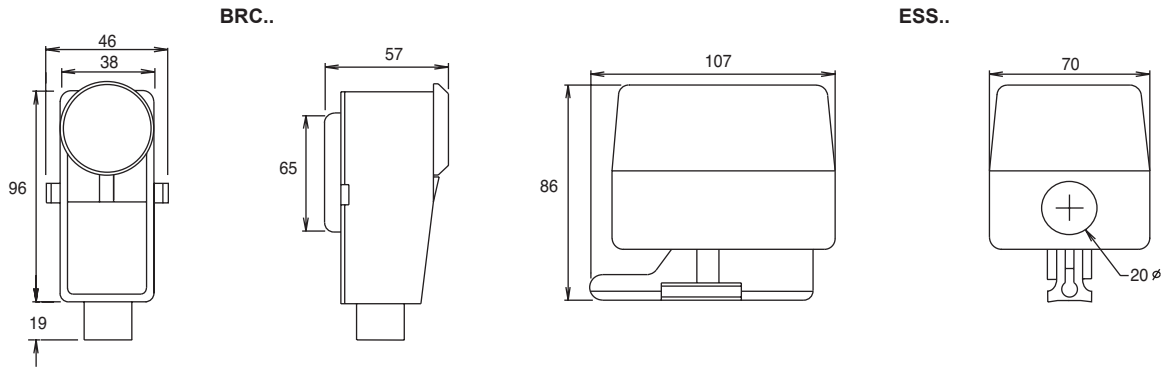
These products can be used to monitor the temperature of liquids in pipes and cylinders.



Volt free contacts
 ESS.. Adjustment under the cover
 Terminals 0.5-2.5mm
 Enclosure Flammability: BRC=UL94-HB
 ESS=UL94-V0

Type	Range °C	Diff °C	230VAC SPDT	Max. Bulb Temp °C	Enclosure
BRC	20/90	5	15(3)A	120	IP30
ESS-1	-25/+45	2	10(3)A	70	IP43
ESS-2	0/70	2	10(3)A	90	IP43
ESS-32	35/95	4	15(5)A	115	IP43
ESS-3	50/130	6	15(5)A	130	IP43
ESS-42	30/65	Hand reset open high	15(5)A	90	IP43
ESS-4	60/95	Hand reset open high	15(5)A	115	IP43

DIMENSIONS



ACCESSORIES:

FIXING STRAP FOR BRC



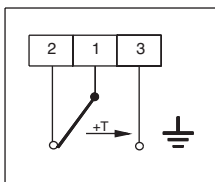
FIXING STRAP FOR ESS EE-ESS



FIXING STRAP ADJUSTABLE UP TO 150MM DIA. IS INCLUDED.
 LONGER FIXING STRAPS ARE AVAILABLE ON REQUEST.

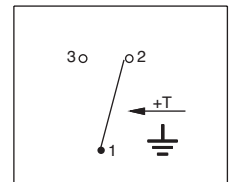
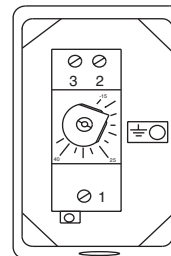
WIRING:

BRC..



Contacts 1-3 close on temperature rise.
 Contacts 1-2 close on temperature fall.

ESS..



Contacts 1-3 close on temperature rise.
 Contacts 1-2 close on temperature fall.
 Open high = Contact 1-2 opens on temperature rise. Temp must fall to allow resetting.

INSTALLATION: Fix the thermostat securely to the pipe. The ambient temperature around the sensor can affect the switching point.